

**MODEL NO :** TM043NDHG11  
**MODEL VERSION:** 00  
**SPEC VERSION :** 1.2  
**ISSUED DATE:** 2016-6-22

- Preliminary Specification  
 Final Product Specification

Customer : \_\_\_\_\_

Approved by	Notes

TIANMA Confirmed :

Prepared by	Checked by	Approved by
Tiantian ZHAO	Xiaoxing DING	Feng QIN

This technical specification is subjected to change without notice

## Table of Contents

Table of Contents .....	2
Record of Revision.....	3
1 General Specifications.....	4
2 Input/Output Terminals .....	5
3 Absolute Maximum Ratings.....	7
4 Electrical Characteristics .....	8
5 Timing Chart.....	10
6 Optical Characteristics .....	14
7 Environmental / Reliability Test.....	17
8 Mechanical Drawing.....	18
9 Packing Drawing .....	19
10 Precautions for Use of LCD Modules.....	20



## 1 General Specifications

Feature		Spec
<b>Display Spec.</b>	Size	4.3inch
	Resolution	480 (RGB) x272
	Technology Type	a-si
	Pixel Configuration	R.G.B Vertical Stripe
	Pixel pitch(mm)	0.198 x0.198
	Display Mode	TN,NW
	Surface Treatment	AG
	Viewing Direction	6 O'Clock
	Gray Scale Inversion Direction	12 O'Clock
<b>Mechanical Characteristics</b>	LCM (W x H x D) (mm)	105.50x67.20x2.9
	Active Area(mm)	95.04x53.856
	With /Without TSP	Without TSP
	Matching Connection Type	ZIF
	LED Numbers	16 LEDs
	Weight (g)	44.6g
<b>Electrical Characteristics</b>	Interface	RGB 24 bits
	Color Depth	16.7M
	Driver IC	ST7282T2

Note 1: Viewing direction for best image quality is different from TFT definition. There is a 180 degree shift.

Note 2: Requirements on Environmental Protection: Q/S0002

Note 3: LCM weight tolerance:  $\pm 5\%$

## 2 Input/Output Terminals

Pin No.	Symbol	I/O	Function	Remark
1	VLED-	P	Back light cathode	
2	VLED+	P	Back light anode	
3	GND	P	Ground	
4	VDD	P	Power supply	
5	R0	I	Data input	
6	R1	I	Data input	
7	R2	I	Data input	
8	R3	I	Data input	
9	R4	I	Data input	
10	R5	I	Data input	
11	R6	I	Data input	
12	R7	I	Data input	
13	G0	I	Data input	
14	G1	I	Data input	
15	G2	I	Data input	
16	G3	I	Data input	
17	G4	I	Data input	
18	G5	I	Data input	
19	G6	I	Data input	
20	G7	I	Data input	
21	B0	I	Data input	
22	B1	I	Data input	
23	B2	I	Data input	
24	B3	I	Data input	
25	B4	I	Data input	
26	B5	I	Data input	
27	B6	I	Data input	
28	B7	I	Data input	
29	GND	P	Ground	

30	DCLK	I	Clock for input data. Data latched at falling edge of this signal.
31	DISP	I	Standby mode. DISP =“1”: Normally operation. DISP =“0”: Standby mode.
32	HSYNC	I	Horizontal sync input with negative polarity.
33	VSYNC	I	Vertical sync input with negative polarity.
34	DE	I	Data input enable.
35	NC	—	No connection
36	GND	P	Ground.
37	NC	—	No connection
38	NC	—	No connection
39	NC	—	No connection
40	NC	—	No connection

Note1: Please add the FPC connector type and matched one if necessary .

### 3 Absolute Maximum Ratings

GND=0V

Item	Symbol	MIN	MAX	Unit	Remark
Power Voltage	VCC	-0.3	4.6	V	Note1
Input voltage	V <sub>IN</sub>	-0.3	VCC+0.3	V	
Operating Temperature	Top	-20	70	°C	
Storage Temperature	Tst	-30	80	°C	
Relative Humidity Note2	RH	--	≤95	%	Ta≤40°C
		--	≤85	%	40°C < Ta ≤ 50°C
		--	≤55	%	50°C < Ta ≤ 60°C
		--	≤36	%	60°C < Ta ≤ 70°C
		--	≤24	%	70°C < Ta ≤ 80°C
Absolute Humidity	AH	--	≤70	g/m <sup>3</sup>	Ta > 70°C

**Table 3 Absolute Maximum Ratings**

Note1: Input voltage include R0~R5, G0~G5, B0~B5, Dotclk, Hsync, Vsync, Enable, R/L, U/D.

Note2: Ta means the ambient temperature.

It is necessary to limit the relative humidity to the specified temperature range.  
Condensation on the module is not allowed.

## 4 Electrical Characteristics

### 4.1 LCD Module

GND=0V, Ta=25°C

Item	Symbol	MIN	TYP	MAX	Unit	Remark
Supply Voltage	VDD	3.0	3.3	3.6	V	
Logic Input Voltage	Low Level	$V_{IL}$	DGND	—	$0.3 * VDD$	V
	High Level	$V_{IH}$	$0.7 * VDD$	—	VDD	V
Logic Output Voltage	Low Level	$V_{OL}$	DGND	—	DGND+0.4	V
	High Level	$V_{OH}$	$VDD-0.4$	—	VDD	V
(Panel+LSI) Power Consumption	Black Mode (60Hz)		21		mA	
	Standby Mode			50	uA	

Table 4.1 LCD module electrical characteristics

### 4.2 Backlight Unit

Ta=25°C

Item	Symbol	MIN	TYP	MAX	Unit	Remark
Forward Current	$I_F$	—	40	60	mA	16 LED(8 LED Serial, 2 LED Parallel)
Forward Current Voltage	$V_F$	24	25.6	28.8	V	
Backlight Power Consumption	$W_{BL}$	—	1024	1728	mW	
LED life time		10000	20000			

Table 4.2 Backlight Unit Electrical Characteristics

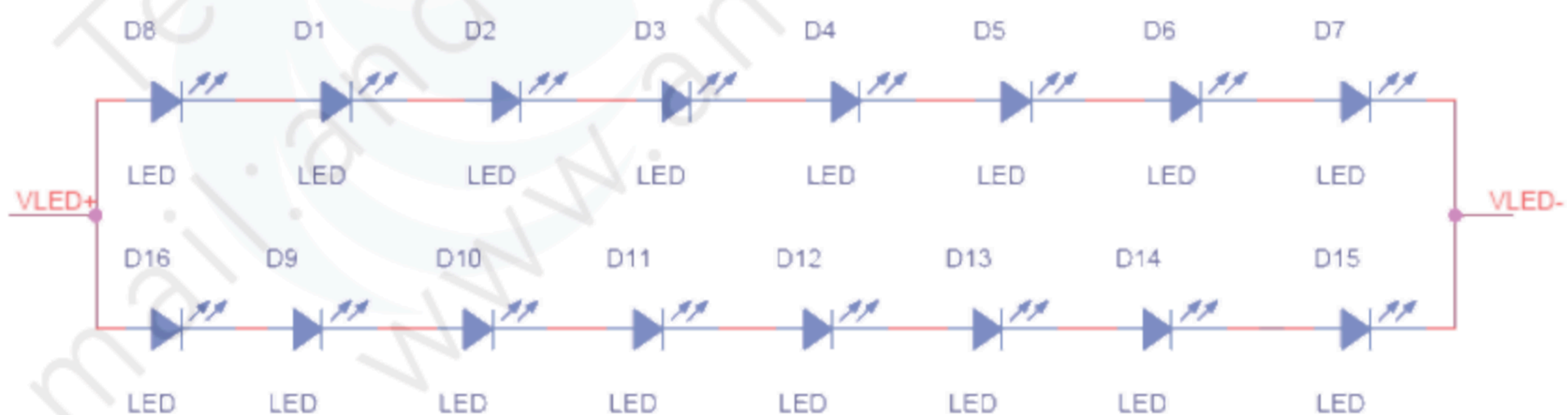
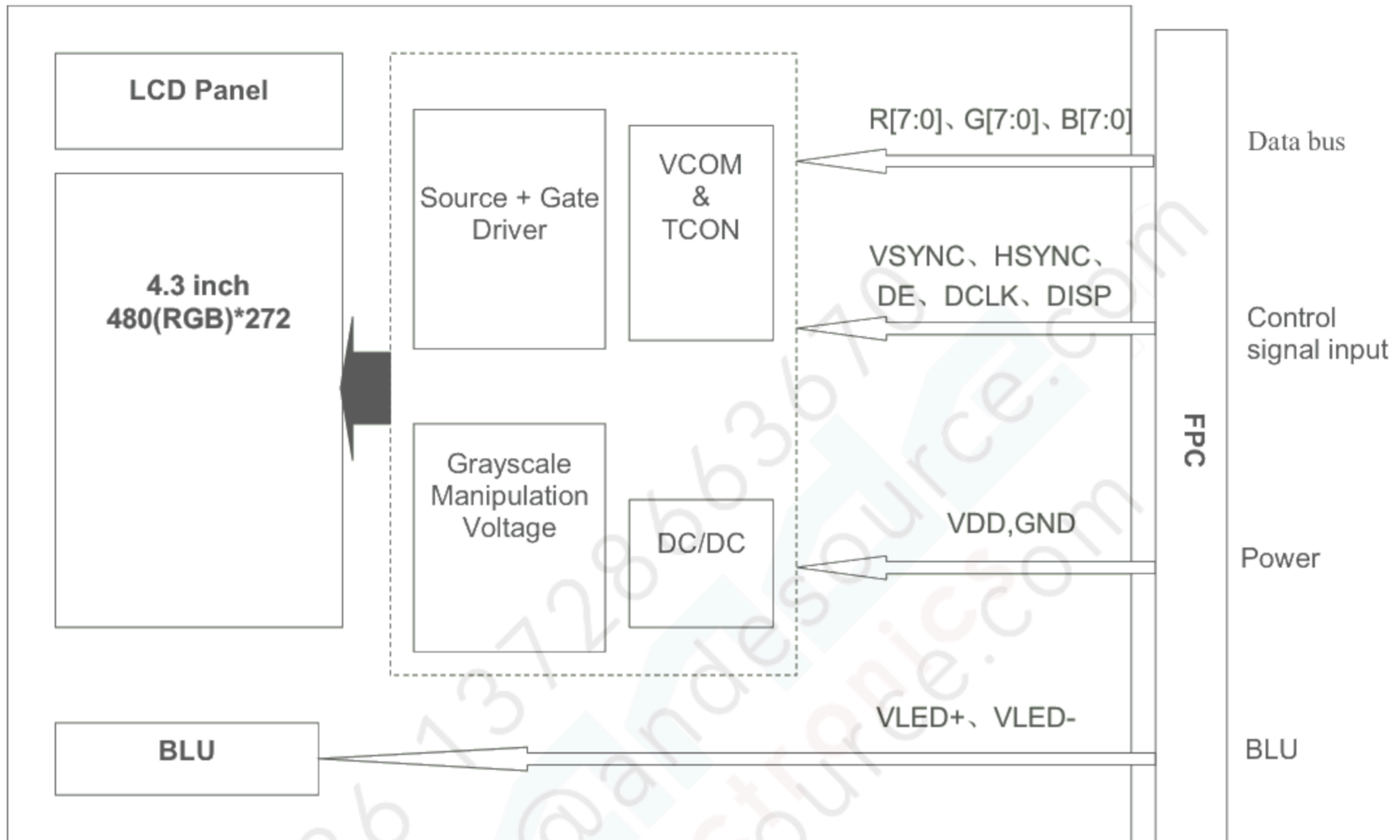


Figure 4.2.1 LED Driver Circuit

4.3 BLOCK DIAGRAM

LCD module diagram



## 5 Timing Chart

### 5.1 AC Characteristics

VDDI= 1.8V, VDD= 3.3V, AGND= 0V

Item	Symbol	Min.	Typ.	Max.	Unit	Conditions
System operation timing						
VDD power source slew time	TPOR	-	-	20	ms	From 0V to 99% VDD
GRB pulse width	tRSTW	10	50	-	us	R=10Kohm, C=1uF
Input/ Output timing						
CLK pulse duty	Tcw	40	50	60	%	
Hsync width	Thw	1	-	-	DCLK	
Hsync period	Th	55	60	65	us	
Vsync setup time	Tvst	12	-	-	ns	
Vsync hold time	Tvhd	12	-	-	ns	
Hsync setup time	Thst	12	-	-	ns	
Hsync hold time	Thhd	12	-	-	ns	
Data setup time	Tdsu	12	-	-	ns	
Data hold time	Tdhd	12	-	-	ns	

Table 5.1 AC Characteristics

### 5.2 AC Timing Diagram

#### 5.2.1 Clock and Data Input Timing Diagram

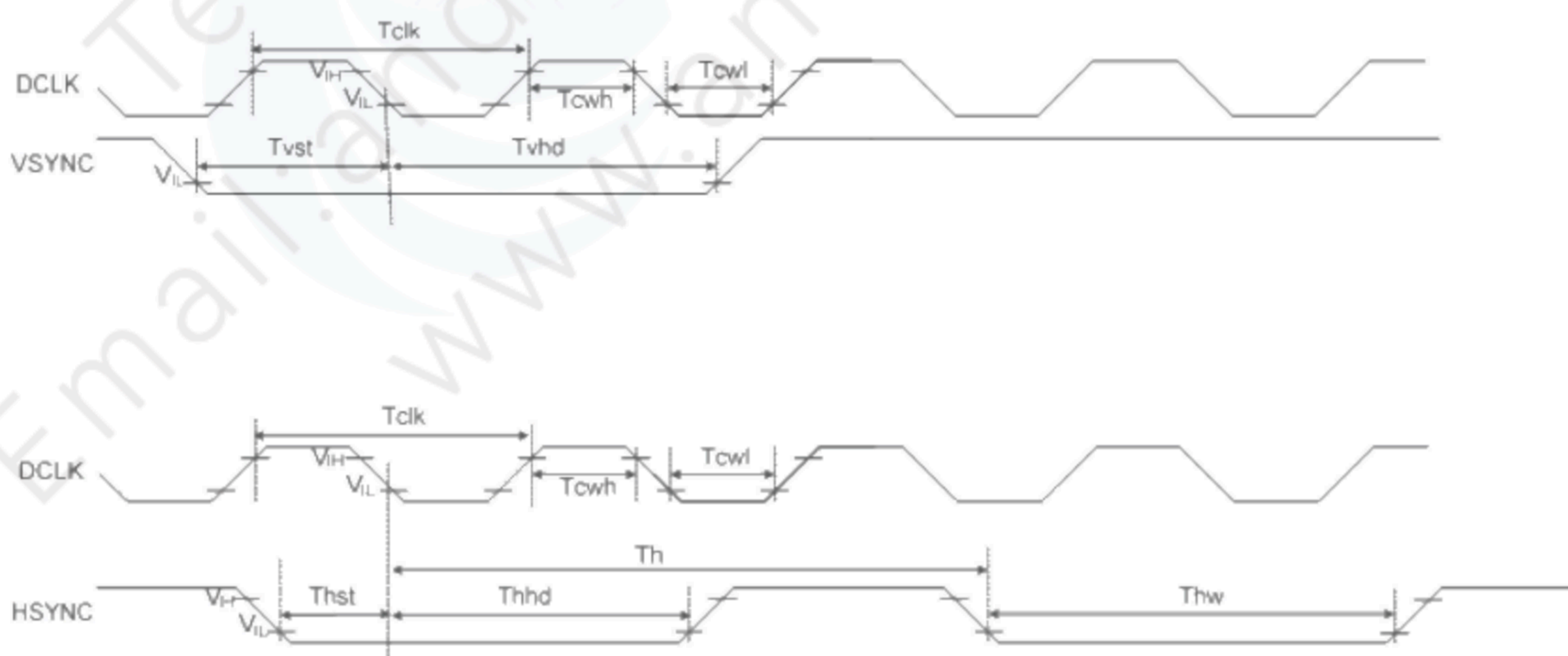


Figure 5.2.1 Clock and Data Input Timing Diagram

### 5.2.1.1 SYNC Mode

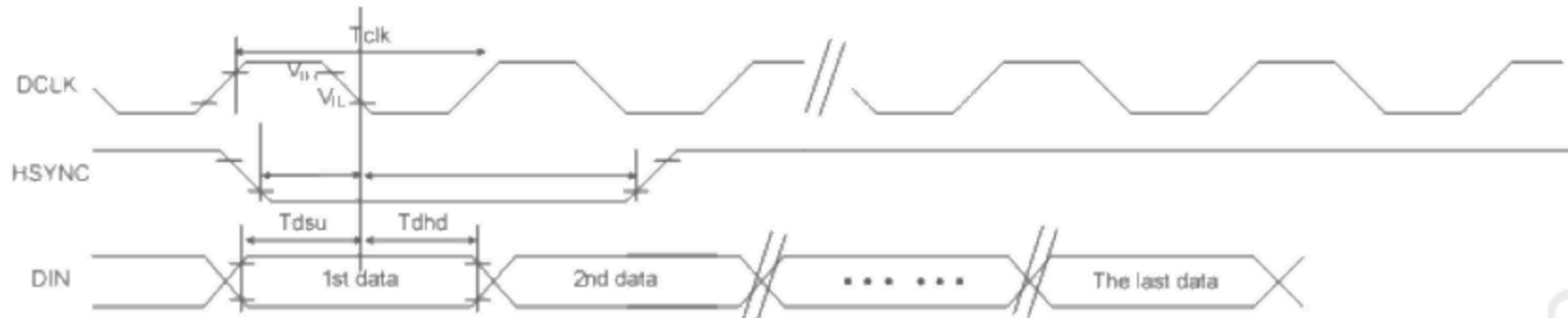


Figure 5.2.1.1 SYNC Mode

### 5.2.1.2 SYNC-DE Mode



Figure 5.2.1.2 SYNC-DE Mode

## 5.3 RGB Input Timing Table

Item	Symbol	Min.	Typ.	Max.	Unit	Remark	
DCLK Frequency	Fclk	8	9	12	MHz		
DCLK Period	Tclk	83	111	125	ns		
HSYNC	Period Time	Th	485	525	532	DCLK	
	Display Period	Thdisp		480		DCLK	
	Back Porch	Thbp	3	43	50	DCLK	By H_Blanking setting
	Front Porch	Thfp	2	2	2	DCLK	
	Pulse Width	Thw	1	1	1	DCLK	
VSYNC	Period Time	Tv	275	285	303	H	
	Display Period	Tvdisp		272		H	
	Back Porch	Tvbp	2	12	30	H	By V_Blanking setting
	Front Porch	Tvfp	1	1	1	H	
	Pulse Width	Tvw	1	1	1	H	

Table 5.3 RGB Input Timing Table

The information contained herein is the exclusive property of TIANMA MICRO-ELECTRONICS Corporation and shall not be distributed, reproduced, or disclosed in whole or in part without prior written permission of TIANMA MICRO-ELECTRONICS Corporation.

**5.4 Data Input Format**

**5.4.1 SYNC Mode Timing Diagram**

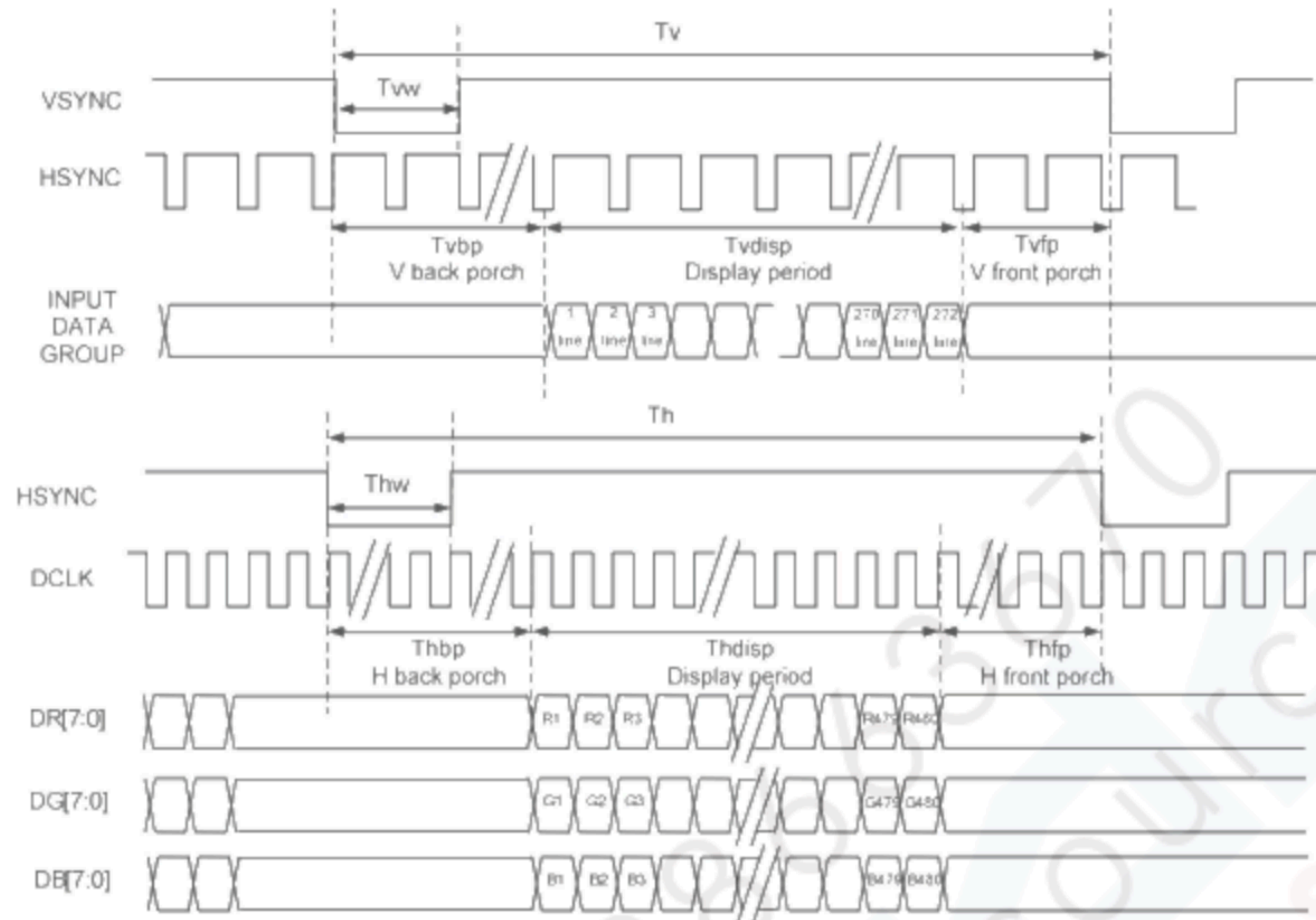


Figure 5.4.1 SYNC Mode Timing Diagram

**5.4.2 SYNC-DE Mode Timing Diagram**

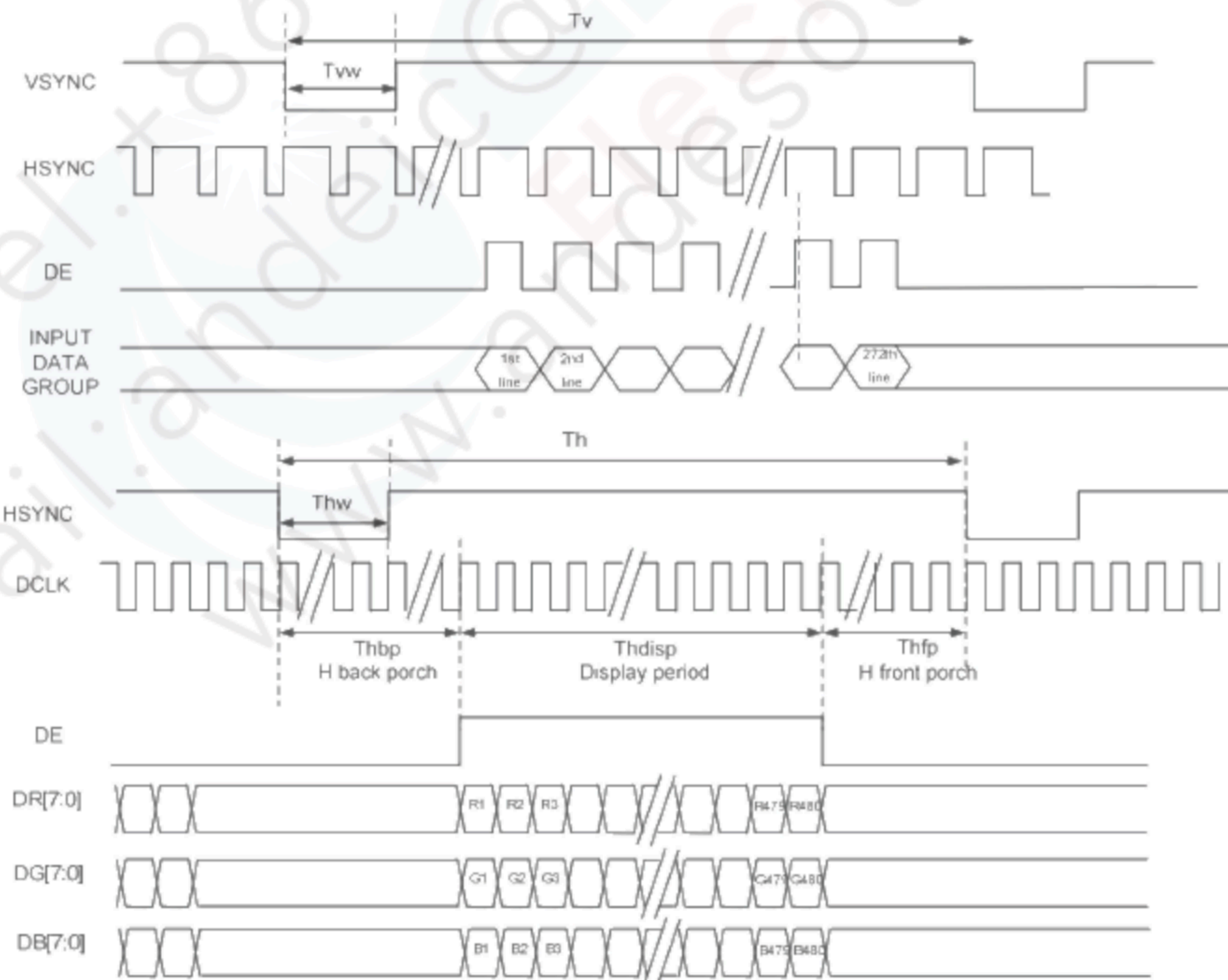


Figure 5.4.2 SYNC-DE Mode Timing Diagram

**5.5 POWER ON/OFF SEQUENCE**

**5.5.1 POWER ON SEQUENCE**

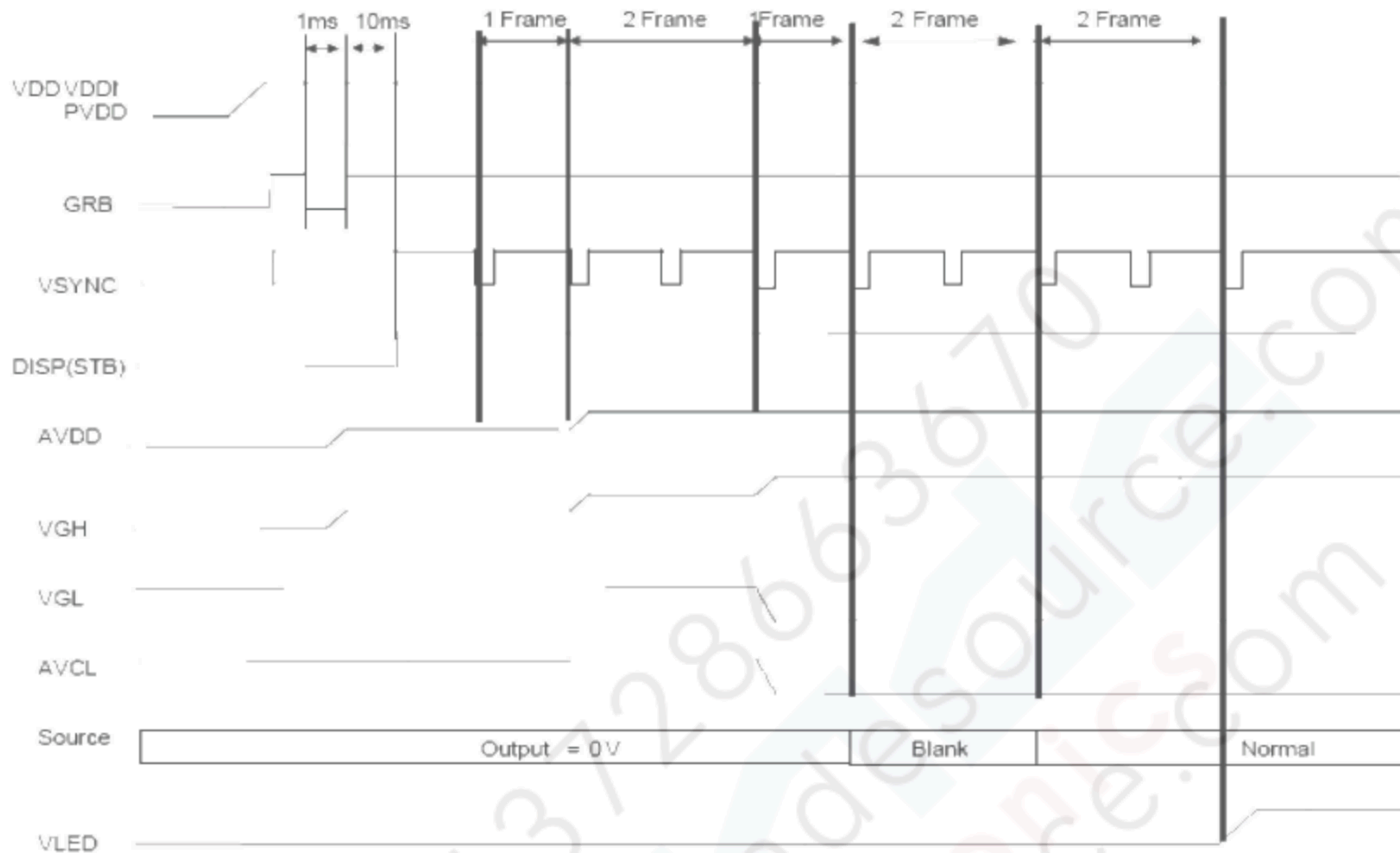


Figure 5.5.1 Power on Sequence

**5.5.2 POWER OFF SEQUENCE**

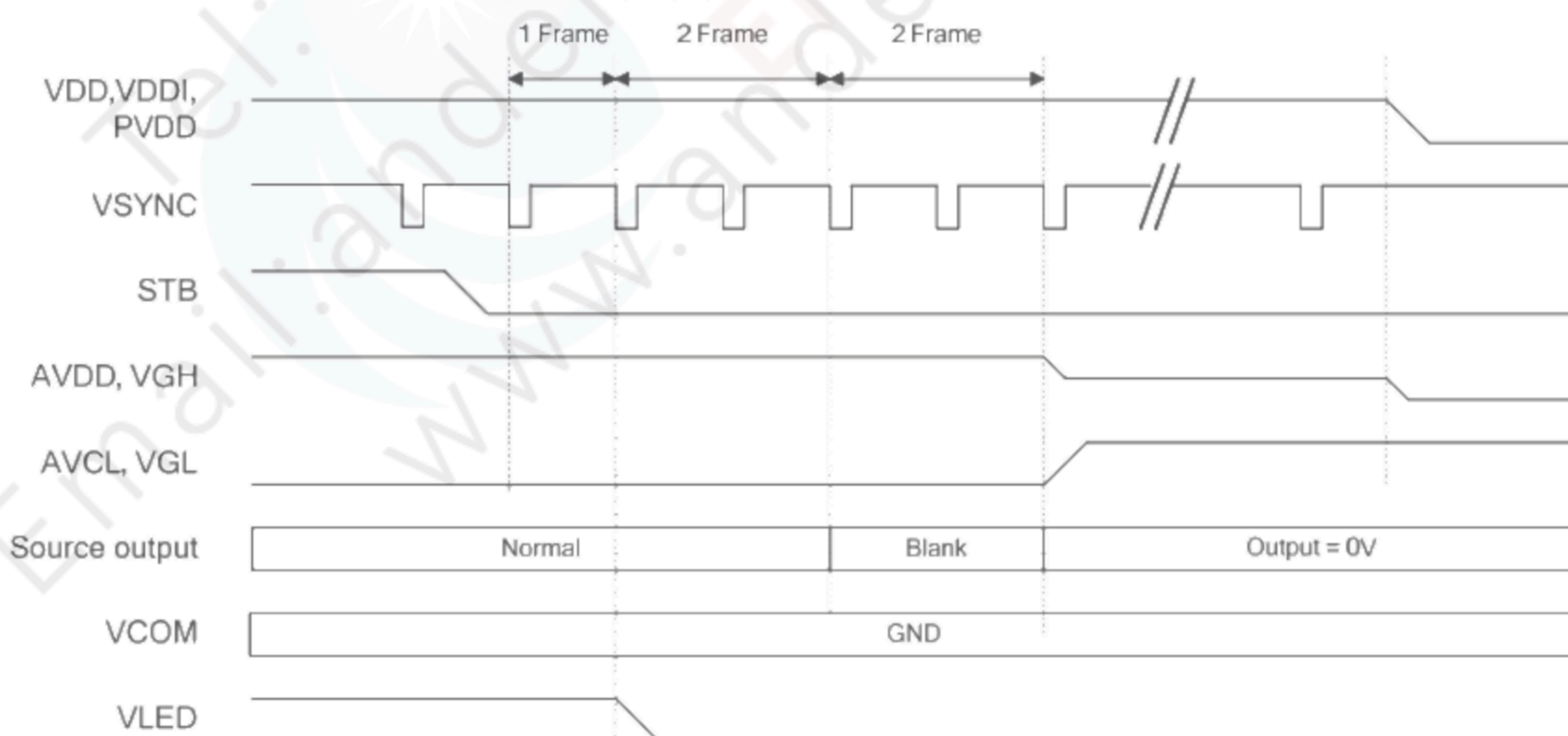


Figure 5.5.2 Power off Sequence

## 6 Optical Characteristics

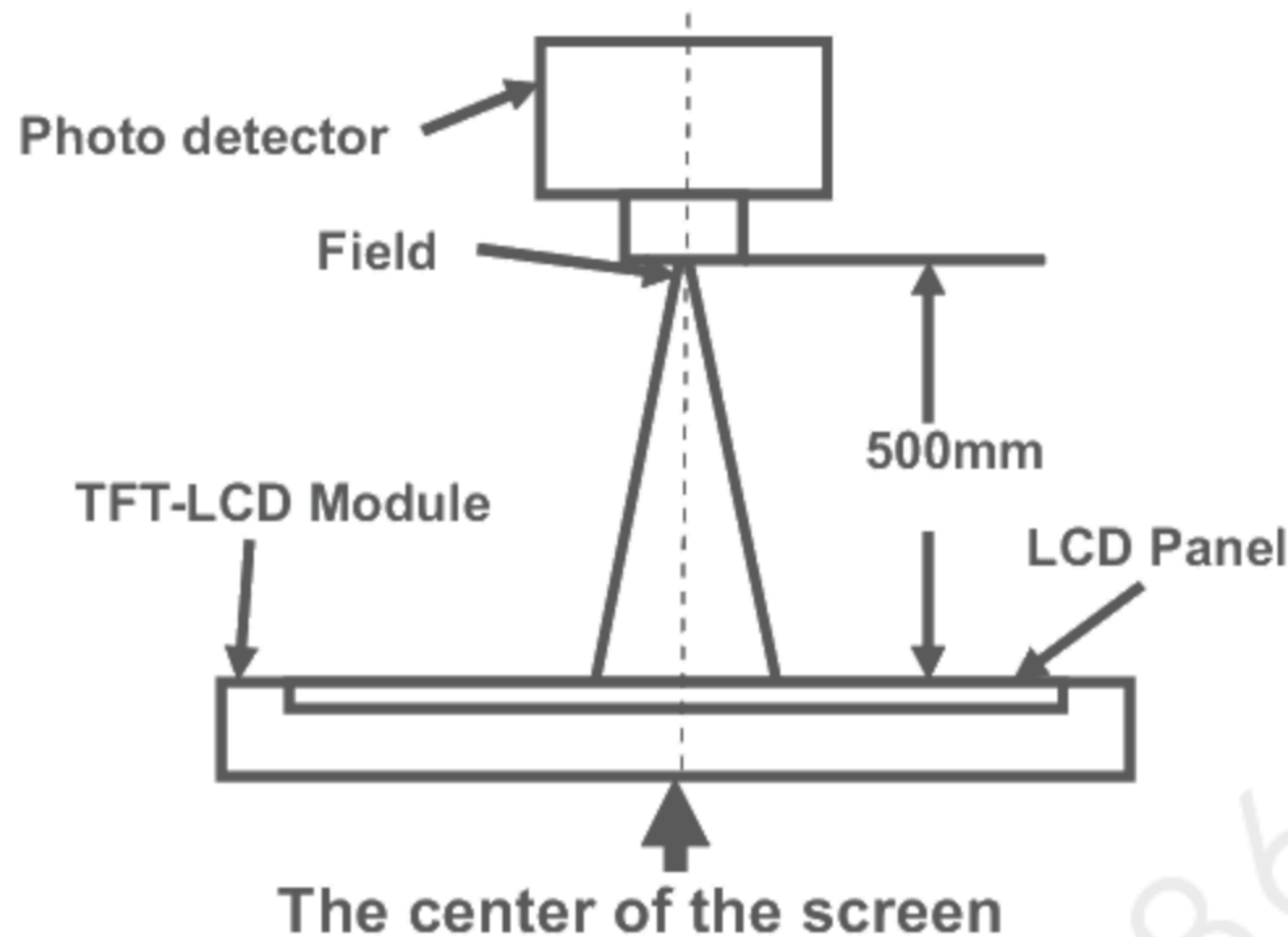
Item	Symbol	Condition	Min	Typ	Max	Unit	Remark
View Angles	$\theta T$	$CR \geq 10$	60	70		Degree	Note 2,3
	$\theta B$		50	60			
	$\theta L$		60	70			
	$\theta R$		60	70			
Contrast Ratio	CR	$\theta = 0^\circ$	600	800			Note 3
Response Time	$T_{ON}$	25°C		25	35	ms	Note 4
	$T_{OFF}$						
Chromaticity	White	x	Backlight is on	0.257	0.307	0.357	Note 1,5
		y		0.280	0.330	0.380	
	Red	x		0.532	0.582	0.632	Note 1,5
		y		0.299	0.349	0.399	
	Green	x		0.294	0.344	0.394	Note 1,5
		y		0.538	0.588	0.638	
	Blue	x		0.101	0.151	0.201	Note 1,5
		y		0.049	0.099	0.149	
Uniformity	U			80		%	Note 6
NTSC			45	50		%	Note 5
Luminance	L		715	885		cd/m <sup>2</sup>	Note 7

Test Conditions:

1.  $I_F = 40$  mA, and the ambient temperature is 25°C.
2. The test systems refer to Note 1 and Note 2.

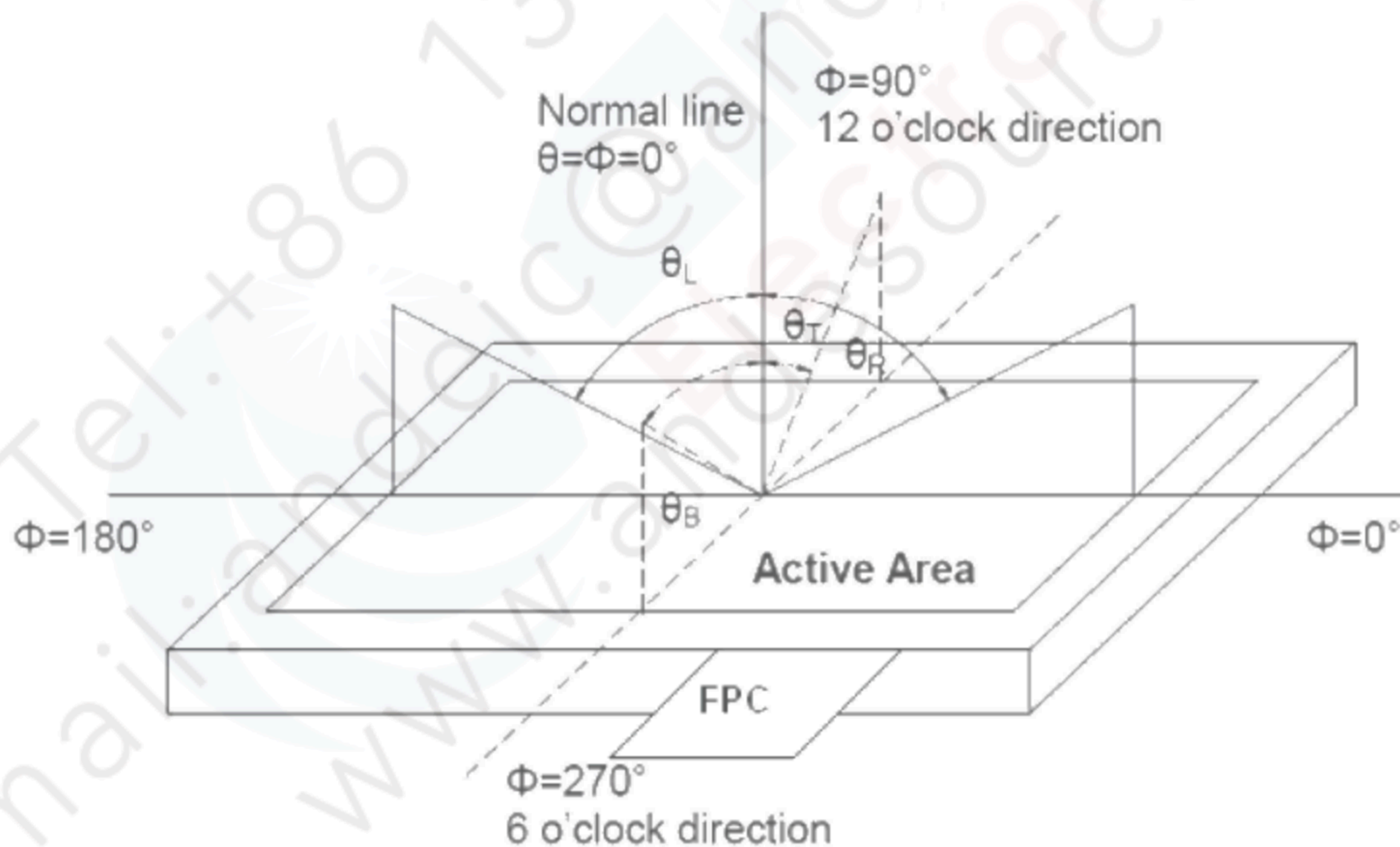
Note 1: Definition of optical measurement system.

The optical characteristics should be measured in dark room. After 5 Minutes operation, the optical properties are measured at the center point of the LCD screen. All input terminals LCD panel must be ground when measuring the center area of the panel.



Note 2: Definition of viewing angle range and measurement system.

viewing angle is measured at the center point of the LCD .



Note 3: Definition of contrast ratio

$$\text{Contrast ratio (CR)} = \frac{\text{Luminance measured when LCD is on the "White" state}}{\text{Luminance measured when LCD is on the "Black" state}}$$

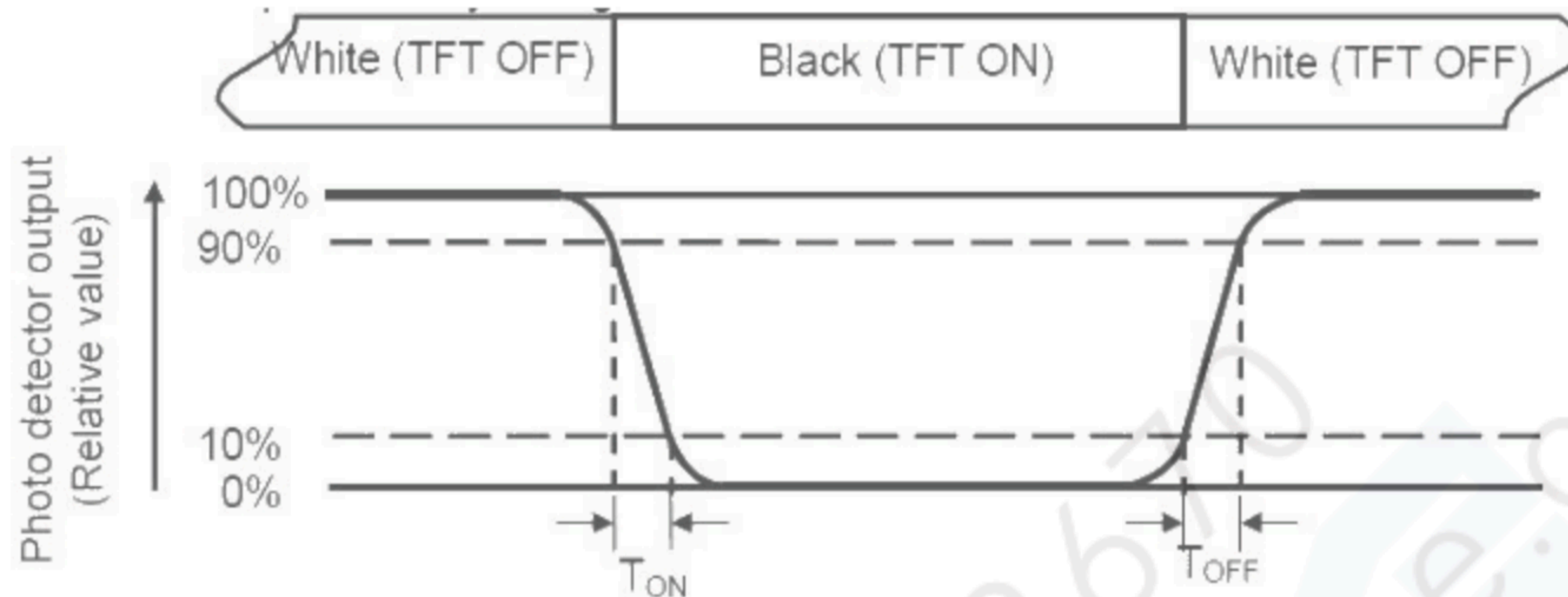
“White state “: The state is that the LCD should drive by  $V_{white}$ .

“Black state”: The state is that the LCD should drive by  $V_{black}$ .

$V_{white}$ : To be determined     $V_{black}$ : To be determined.

Note 4: Definition of Response time

The response time is defined as the LCD optical switching time interval between “White” state and “Black” state. Rise time ( $T_{ON}$ ) is the time between photo detector output intensity changed from 90% to 10%. And fall time ( $T_{OFF}$ ) is the time between photo detector output intensity changed from 10% to 90%.



Note 5: Definition of color chromaticity (CIE1931)

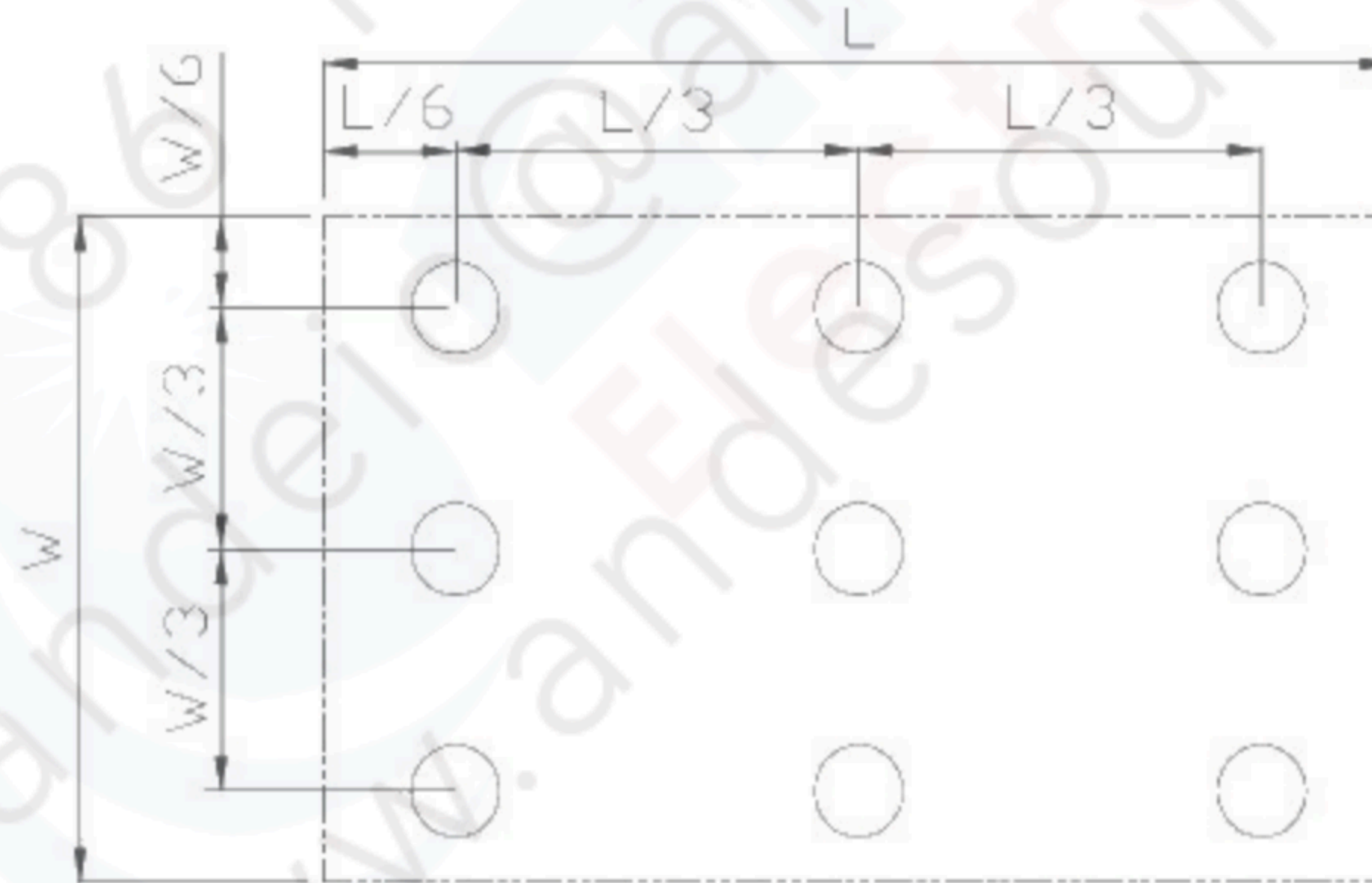
Color coordinates measured at center point of LCD.

Note 6: Definition of Luminance Uniformity

Active area is divided into 9 measuring areas (Refer Fig. 2). Every measuring point is placed at the center of each measuring area.

$$\text{Luminance Uniformity (U)} = L_{\min} / L_{\max}$$

L-----Active area length W----- Active area width



$L_{\max}$ : The measured Maximum luminance of all measurement position.

$L_{\min}$ : The measured Minimum luminance of all measurement position.

Note 7: Definition of Luminance:

Measure the luminance of white state at center point.

## 7 Environmental / Reliability Test

No	Test Item	Condition	Remarks
1	High Temperature Operation	Ta = +70°C, 240 hours	IEC60068-2-1:2007 GB2423.2-2008
2	Low Temperature Operation	Ta = -20°C, 240 hours	IEC60068-2-1:2007 GB2423.1-2008
3	High Temperature Storage	Ta = +80°C, 240 hours	IEC60068-2-1:2007 GB2423.2-2008
4	Low Temperature Storage	Ta = -30°C, 240 hours	IEC60068-2-1:2007 GB2423.1-2008
5	Storage at High Temperature and Humidity	Ta=+60°C, 90% RH 240 hours	IEC6008-2-78 :2001 GB/T2423.3—2006
6	Thermal Shock (non-operation)	-30°C 30 min~+70°C 30 min, Change time:5min, 20 Cycles	Start with cold temperature, End with high temperature, IEC60068-2-14:1984,G B2423.22-2002
7	ESD	C=150pF, R=330Ω, 5points/panel Air:±8KV, 5times; Contact:±4KV, 5 times; (Environment: 15°C~35°C, 30%~60%, 86Kpa~106Kpa)	IEC61000-4-2:2001 GB/T17626.2-2006
8	Vibration Test	Frequency range:10~55Hz, Stroke:1.5mm Sweep:10Hz~55Hz~10Hz 2 hours for each direction of X.Y.Z. (6 hours for total)(Package condition)	IEC60068-2-6:1982 GB/T2423.10—1995
9	Mechanical Shock (Non OP)	60G 6ms, ±X,±Y,±Z 3times, for each direction	IEC60068-2-27:1987 GB/T2423.5—1995
10	Package Drop Test	Height:60 cm, 1 corner, 3 edges, 6 surfaces	IEC60068-2-32:1990 GB/T2423.8—1995

Note1: Ts is the temperature of panel's surface.

Note2: Ta is the ambient temperature of sample.

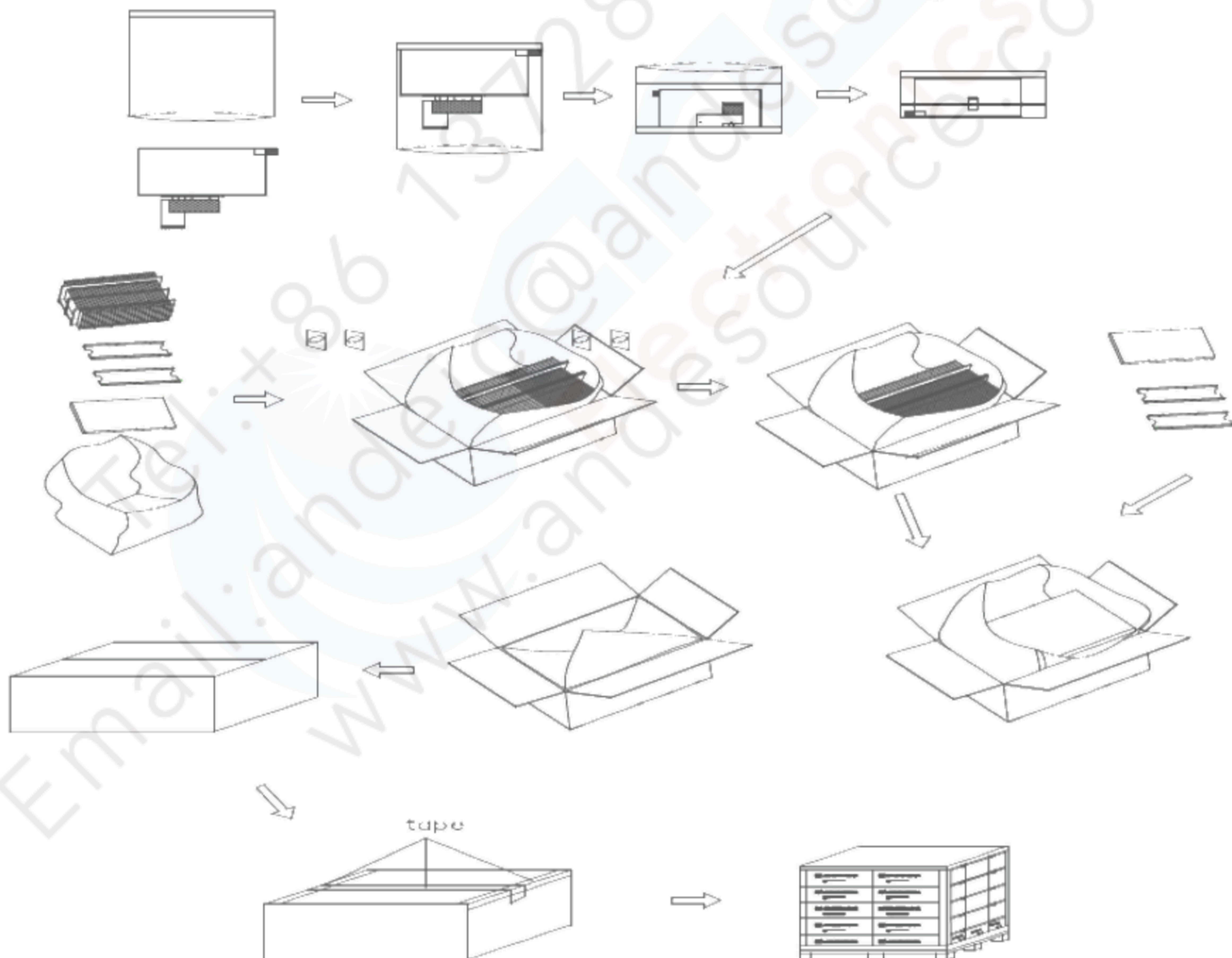
Note3: Before cosmetic and function test, the product must have enough recovery time, at least 2 hours at room temperature.

Note 4: In the standard condition, there shall be no practical problem that may affect the display function. After the reliability test, the product only guarantees operation, but don't guarantee all of the cosmetic specification.



## 9 Packing Drawing

No	Item	Model (Material)	Dimensions(mm)	Unit Weight(Kg)	Quantity	Remark
1	LCM module	TM043NDHG11-00	105.5*67.2*2.90	0.0446	112	
2	Partition_1	Corrugated Paper	513*333*106	0.7	2	
3.	Anti-Static Bag	PE	175.8*125*0.05	0.0007	112	Anti-static
4	Dust-Proof Bag	PE	700X530	0.0600	1	
5	Partition_2	Corrugated Paper	505*332*4.00	0.09	3	
6	Corrugated Bar	Corrugated Paper	513*117*3	0.04	8	
7	Carton	Corrugated Paper	530*350*250	1.1000	1	
8	Total weight	8.22±5%Kg				



## 10 Precautions for Use of LCD Modules

### a) Handling Precautions

- i. The display panel is made of glass. Do not subject it to a mechanical shock by dropping it from a high place, etc.
- ii. If the display panel is damaged and the liquid crystal substance inside it leaks out, be sure not to get any in your mouth, if the substance comes into contact with your skin or clothes, promptly wash it off using soap and water.
- iii. Do not apply excessive force to the display surface or the adjoining areas since this may cause the color tone to vary.
- iv. The polarizer covering the display surface of the LCD module is soft and easily scratched. Handle this polarizer carefully.
- v. If the display surface is contaminated, breathe on the surface and gently wipe it with a soft dry cloth. If still not completely clear, moisten cloth with one of the following solvents:
  - Isopropyl alcohol
  - Ethyl alcohol

Solvents other than those mentioned above may damage the polarizer. Especially, do not use the following:

- Water
  - Ketone
  - Aromatic solvents
- vi. Do not attempt to disassemble the LCD Module.
  - vii. If the logic circuit power is off, do not apply the input signals.
  - viii. To prevent destruction of the elements by static electricity, be careful to maintain an optimum work environment.

10.1.8.1 Be sure to ground the body when handling the LCD Modules.

10.1.8.2 Tools required for assembly, such as soldering irons, must be properly ground.

10.1.8.3 To reduce the amount of static electricity generated, do not conduct assembly and other work under dry conditions.

10.1.8.4 The LCD Module is coated with a film to protect the display surface. Be care when peeling off this protective film since static electricity may be generated.

### b) Storage precautions

- i. When storing the LCD modules, avoid exposure to direct sunlight or to the light of fluorescent lamps.
- ii. The LCD modules should be stored under the storage temperature range. If the LCD modules will be stored for a long time, the recommend condition is:

Temperature : 0°C ~ 40°C Relatively humidity: ≤80%

- iii. The LCD modules should be stored in the room without acid, alkali and harmful gas.

### c) Transportation Precautions

- i. The LCD modules should be no falling and violent shocking during transportation, and also should avoid excessive press, water, damp and sunshine.